

SNB-6004

2Megapixel Full HD Network Camera



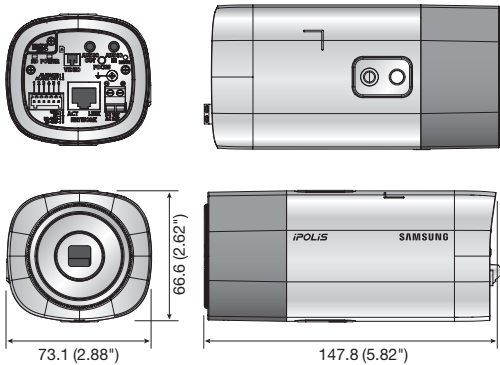
* Lens not included

Key Features

- Max. 2M (1920 x 1080) resolution
- H.264, MJPEG dual codec, Multiple streaming
- WDR (120dB), Simple focus, P-Iris, Defog
- Audio / Face / Motion detection
- SD/SDHC/SDXC memory slot
- Multi-crop streaming
- PoE, UPnP, Bi-directional audio support

Dimensions

Unit : mm (inch)



Available Lenses / Accessories (Optional)



| SNB-6004N/P | |
|-----------------------------------|--|
| VIDEO | |
| Imaging Device | 1/2.8" 2.38M CMOS |
| Total Pixels | 1,952(H) x 1,116(V) |
| Effective Pixels | 1,944(H) x 1,104(V) |
| Scanning System | Progressive |
| Min. Illumination | Color : 0.1Lux (1/30sec, F1.2, 50IRE), 0.0017Lux (2sec, F1.2, 50IRE), 0.03Lux (F1.2, 30IRE) B/W : 0.01Lux (1/30sec, F1.2, 50IRE), 0.002Lux (F1.2, 30IRE) |
| S / N Ratio | 50dB |
| Video Output | CVBS : 1.0Vpp / 75Ω composite, 720 x 480(N), 720 x 576(P), for installation DIP connector type |
| LENS | |
| Focus Control | Simple focus / Manual. Button control (Manual, Simple focus, Day & Night) |
| Lens Type | Manual / DC auto iris, P-Iris |
| Mount Type | C / CS |
| OPERATIONAL | |
| Camera Title | Off / On (Displayed up to 45 characters) |
| Day & Night | Auto (ICR) / Color / B/W / External / Schedule |
| Backlight Compensation | Off / BLC |
| Wide Dynamic Range | 120dB |
| Contrast Enhancement | SSDR (Samsung Super Dynamic Range) (Off / On) |
| Digital Noise Reduction | SSNRIII (2D+3D noise filter) (Off / On) |
| Digital Image Stabilization | Off / On |
| Defog | Off / Auto / Manual |
| Motion Detection | Off / On (4ea 4 points polygonal zones) |
| Privacy Masking | Off / On (32 zones with 4 points of polygonal) |
| Gain Control | Off / Low / Middle / High |
| White Balance | ATW / AWC / Manual / Indoor / Outdoor |
| Electronic Shutter Speed | Minimum / Maximum / Anti flicker (2 ~ 1/12,000sec) |
| Flip / Mirror | Off / On |
| Intelligent Video Analytics | Tampering, Virtual line, Enter / Exit, (Dis)Appear, Audio detection, Face detection |
| Alarm I/O | Input 1ea / Output 1ea |
| Remote Control Interface | RS-485 |
| RS-485 Protocol | Samsung-T/E, Pelco-P/D, Sungjin |
| Alarm Triggers | Motion detection, Tampering, Audio detection, Face detecton, Video analytics, Alarm input, Network disconnection |
| Alarm Events | File upload via FTP and E-mail, Notification via E-mail, Local storage (SD/SDHC/SDXC) or NAS recording at Event (Alarm triggers), External output |
| NETWORK | |
| Ethernet | RJ-45 (10/100BASE-T) |
| Video Compression Format | H.264 (MPEG-4 part 10/AVC), MJPEG |
| Resolution | 1920 x 1080, 1280 x 1024, 1280 x 960, 1280 x 720, 1024 x 768, 800 x 600, 800 x 450, 640 x 480, 640 x 360, 320 x 240, 320 x 180 |
| Max. Framerate | H.264 : Max. 60fps at all resolutions MJPEG : 1920 x 1080, 1280 x 1024, 1280 x 960, 1280 x 720, 1024 x 768 : Max. 15fps 800 x 600, 800 x 450, 640 x 480, 640 x 360, 320 x 240, 320 x 180 : Max. 30fps |
| Video Quality Adjustment | H.264 : Compression level, Target bitrate level control, MJPEG : Quality level control |
| Bitrate Control Method | H.264 : CBR or VBR, MJPEG : VBR |
| Streaming Capability | Multiple streaming (Up to 10 profiles) |
| Audio In | Selectable (Mic in / Line in), Max output level : 1 Vrms Supply voltage : 2.5V DC (4mA), Input impedance : approx. 2K Ohm |
| Audio Out | Line out (3.5mm stereo mini jack) |
| Audio Compression Format | G.711 u-law/G.726 selectable, G.726 (ADPCM) 8KHz, G.711 8KHz G.726 : 16Kbps, 24Kbps, 32Kbps, 40Kbps |
| Audio Communication | Bi-directional audio |
| IP | IPv4, IPv6 |
| Protocol | TCP/IP, UDP/IP, RTP(UDP), RTP(TCP), RTCP, RTSP, NTP, HTTP, HTTPS, SSL, DHCP, PPPoE, FTP, SMTP, ICMP, IGMP, SNMPv1/v2c/v3(MIB-2), ARP, DNS, DDNS, QoS, PIM-SM, UPnP, Bonjour |
| Security | HTTPS(SSL) login authentication, Digest login authentication IP address filtering, User access log, 802.1x authentication |
| Streaming Method | Unicast / Multicast |
| Max. User Access | 15 users at unicast mode |
| Edge Storage | SD/SDHC/SDXC Motion images recorded in the SDXC/SDHC/SD memory card can be downloaded |
| Application Programming Interface | ONVIF profile S, HTTP API (SUNAPI) 2.0, S/NP 1.2 |
| Webpage Language | English, French, German, Spanish, Italian, Chinese, Korean, Russian, Japanese, Swedish, Danish, Portuguese, Turkish, Polish, Czech, Rumanian, Serbian, Dutch, Croatian, Hungarian, Greek, Norwegian, Finnish |
| Web Viewer | Supported OS : Windows XP / VISTA / 7 / 8 / 8.1, MAC OS X 10.7 Supported Browser : Microsoft Internet Explorer (Ver. 11 ~ 8) Mozilla Firefox (Ver. 19 ~ 9) * Windows only Google Chrome (Ver. 25 ~ 15) * Windows only Apple Safari (Ver. 6.0.2(Mac OS X 10.8, 10.7 only), 5.1.7) * Mac OS X only |
| Central Management Software | SmartViewer, SSM |
| ENVIRONMENTAL | |
| Operating Temperature / Humidity | -10°C ~ +55°C (+14°F ~ +131°F) / Less than 90% RH |
| Storage Temperature / Humidity | -30°C ~ +60°C (-22°F ~ +140°F) / Less than 90% RH |
| ELECTRICAL | |
| Input Voltage / Current | 24V AC, 12V DC, PoE (IEEE802.3af class3) |
| Power Consumption | Max. 12.5W (24V AC, 50 ~ 60Hz), Max. 10.5W (12V DC), Max. 12.0W (PoE, Class3) |
| MECHANICAL | |
| Color / Material | Black, Ivory / Aluminium, Plastic |
| Dimensions (WxHxD) | 73.1 x 66.6 x 147.8mm (2.88" x 2.62" x 5.82") |
| Weight | 395g (0.87 lb) |

* Data recorded on an SD memory card may be lost or damaged by data access during power-off, mechanical shock, memory card detachment, or other operations. Data loss or damage can also occur when a memory card reaches end of life, which varies according to operational conditions. No guarantee is given against damage (including passive damage).

* The latest product information / specification can be found at www.samsungsecurity.com